



## Ash Custom Wood Products

R.R. #1, 76 Turmaine Road  
Goulais River Ontario POS 1E0 Canada  
Telephone: (705) 649-3650  
Email: larry@doghouseplans.com



# K-9 Law Enforcement Dog House Plans



**1 Dog/1 Door, 2 Dog/2 Door**

**2 Dog/1 Door, 3 Dog/1 Door**

**Visit our websites for various sizes in the above Models:**

**[www.doghouseplans.com](http://www.doghouseplans.com)**

**[www.policedoghouse.com](http://www.policedoghouse.com)**

**© All Copyrights Reserved by Ash Custom Wood Products**

Instructions for Regular/Deluxe Law Enforcement Dog House  
30 in.-40 in. One Dog - One Door

Before you start building, review the plans thoroughly to familiarize yourself with the drawings and materials you will be using. This will give you a better understanding of what you are about undertake when constructing this doghouse.

1. Look at drawings on page 1. Frame the bottom. When you have the bottom framed, plywood one side. Plywood is 37" x 67". Then flip over and put insulation in between the studs, and then close it in with another sheet of plywood - 37" x 67". Cut four 2"x2"x12" to make feet. Put feet in the four corners and shown on page 1. This will keep the house raised 1-1/2" above the ground. Set this bottom aside and start to build the top of the house as shown on page 1.
2. Frame the roof (top), close one side in with plywood 71-1/2" x 41-3/4". Flip this over and then insulate. Then sheet the other side in with plywood, 71-1/2" x 41-3/4". Trim the roof with 1" x 4" on the front and two sides. The back is trimmed with 1" x 3". Trim is put on the side of the roof flush at the top as shown on page 6. Then set roof aside and start to frame the sides as shown on page 3. (You will notice on the top of the sides there is one 2"x2" that is 34" long and is 1-1/2" thick on one end and tapers down to nothing on the other end.) This allows the front wall to be 1-1/2" higher than the back wall. Build the two side walls the same, as shown on page 3. Then set aside and frame the front wall and frame the rear wall as shown on page 2. When all walls have been framed put rear wall on the floor of the doghouse, and nail it to the floor. Next put the sidewalls on and nail together. Then put the front wall on. Nail all walls in place. At this point plywood can be cut to do all the inside walls. Nail all the inside walls into place. At the four corners you will see on page 6, they are trimmed with quarter round. Now all outside walls can be insulated. Once this is completed outside walls can be sheeted in. When the plywood is completed on the outside the house can now be painted or stained.
3. The door can be trimmed with 2-1/4" pine, flush all the way around the inside of the door opening. Then on the outside 1-1/2" door trim can be put on as shown on page 6. The corners are all cut on 90 deg. The front corners can be trimmed and an 1-1/2" piece of pine can be put on the bottom of the front of the house to go from corner to corner as shown on page 5, then the false window can be made as shown on page 5 and installed. I find it a lot easier to make the false window on the bench, by gluing and nailing all the joints. Once that sets it's a lot easier to install the window then. The inside removable wall as shown on page 3 can be cut out of plywood. Then cut two pieces of 3/4" x 3/4" 40" long and two pieces of 3/4" x 3/4" 38-1/2" long. To install the inside wall measure 15-1/2" from the wall side of the door, which is the left side, to the right side. As shown on page 5, this should bring you to the right of the door on the inside. Put one 3/4" x 3/4" 40" long vertically with the door. Now measure from the left sidewall again out 15-1/2" and put a 3/4" x 3/4" x 38-1/2 inches high and nail it to the back wall. Place the false wall on the right side of the 3/4" x 3/4" and then on the other side of the false wall, nail the 3/4" x 3/4". Leave a little slack so that the wall can be pulled in and out whenever desired.

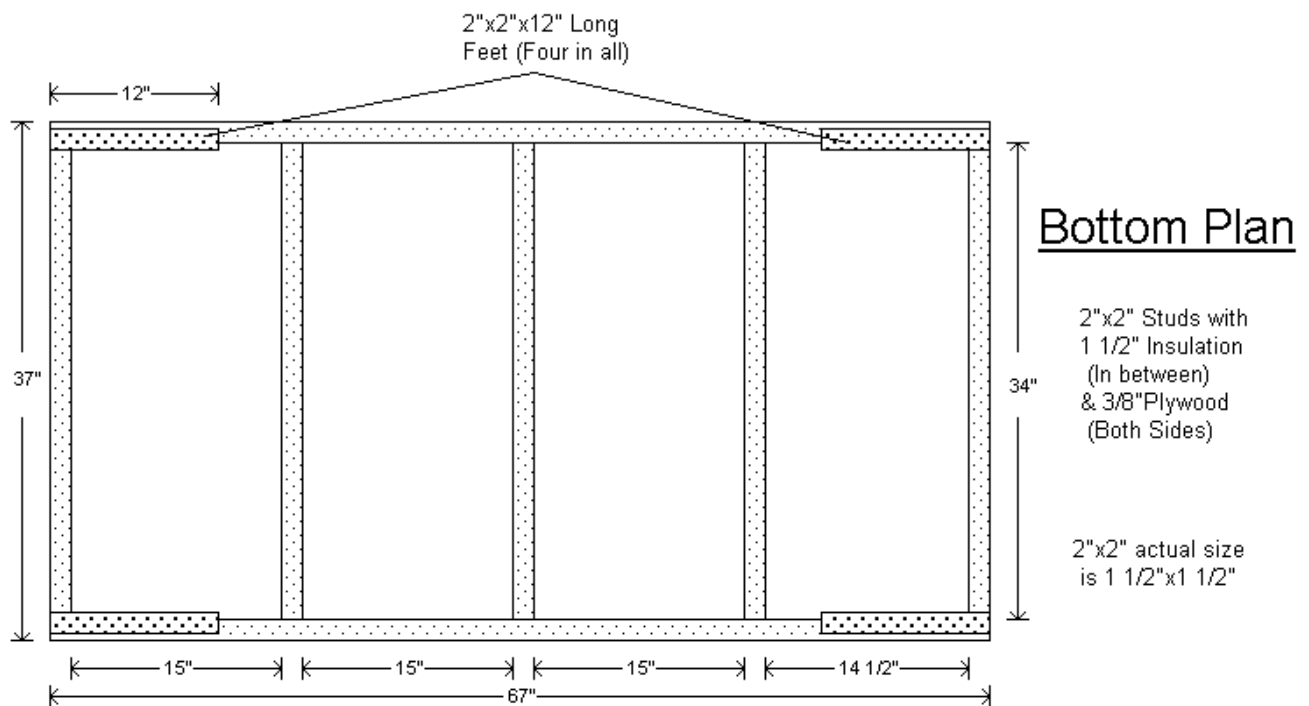
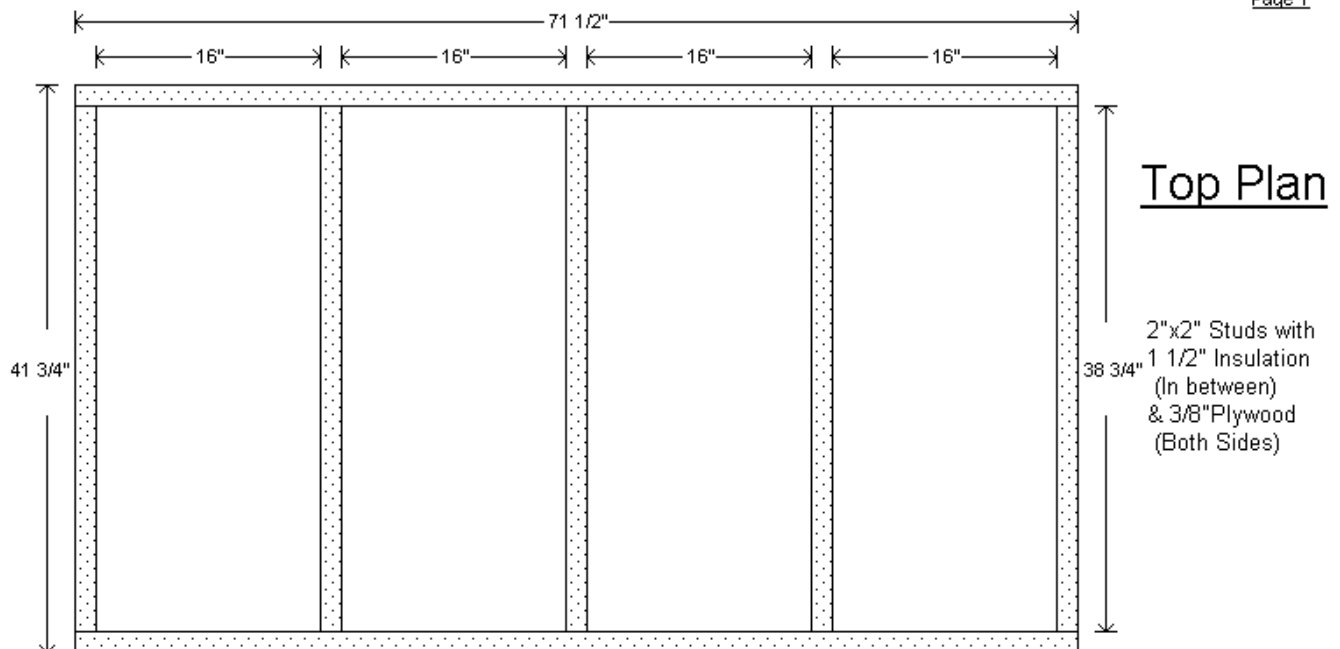
4. The roof can now be put on the doghouse. The front and sides are trimmed with 1" x 4". 1" x 3" is on the back. Measure to make sure you have the same amount hanging over the front as hanging over the back as hanging over the sides. When this is done, at the back of the house, measure from the back corner towards the centre of the back on the roof 6", do this on each side, and that is where the outside of the hinge will go. Screw one side of the hinge to the back of the house and screw one side of the hinge to the bottom of the roof. The roof can now be shingled and all the trim and the window can be painted.

The nails used in the project are:

- to do the 2"x2" framing: 2-1/2" spiral nails
- to do the trim work: 1-1/2" trim nails
- to nail the plywood: 1-1/2" spiral nails
- to nail the shingles: 1-1/4" roofing nails

Just a small quantity of each of these nails is needed. Talk to your building supplier to see what small quantities are available.

This law enforcement house has been in service for many years, and once you have completed this project, you will have a beautiful, durable, and comfortable house for your pet that will last for years.



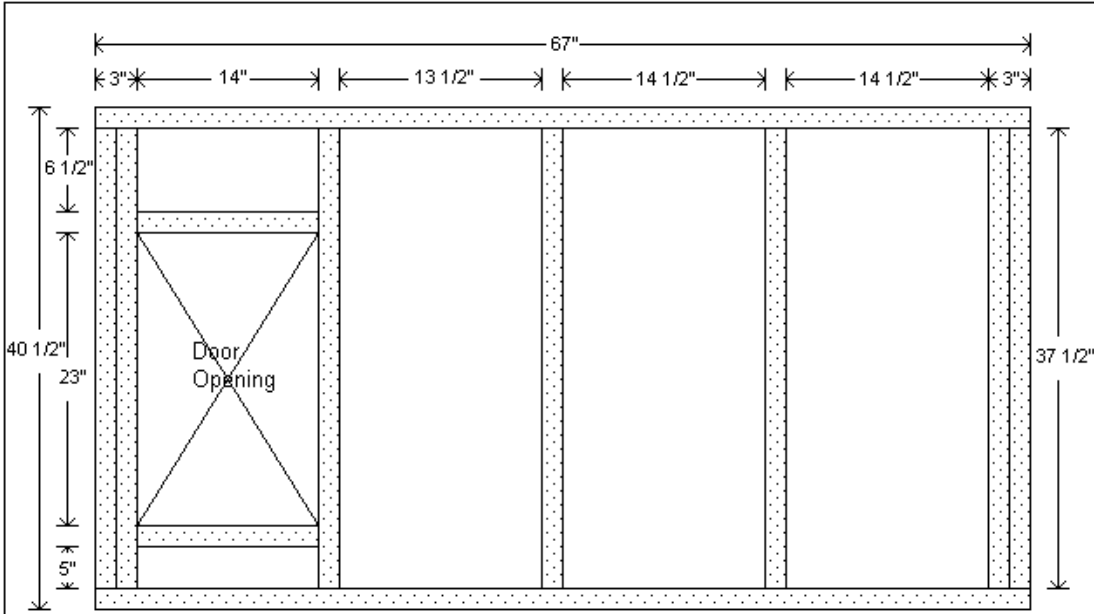
ALL COPYRIGHTS RESERVED BY ASH CUSTOM WOOD PRODUCTS

Drawn By  
L.B.A.

Law Enforcement  
1 Dog 1 Door  
30"-40"  
Doghouse Plans

Layout By:  
Ash Custom Wood Products

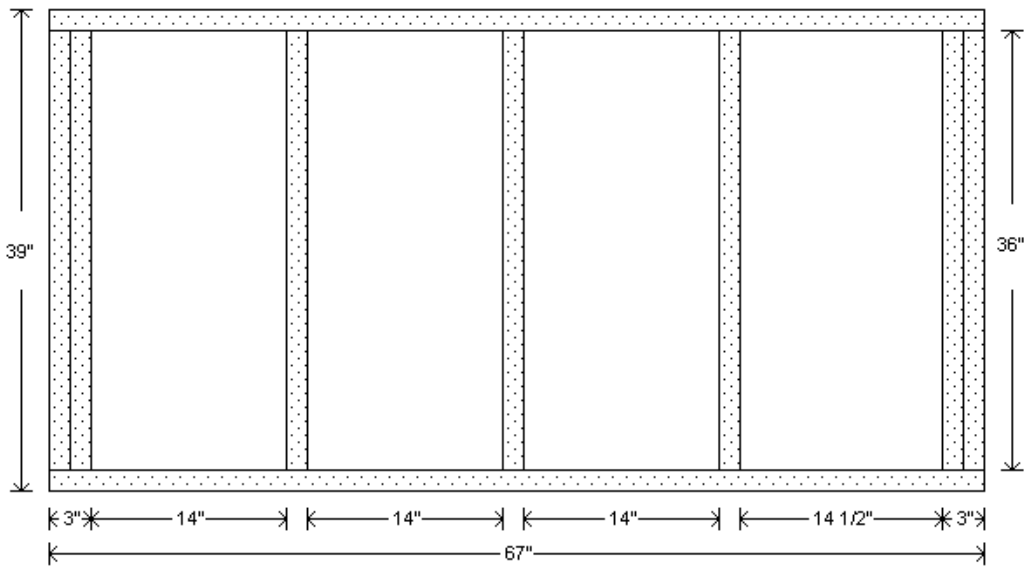
<http://www.doghouseplans.com>



### Front Wall

2"x2" Studs with  
1 1/2" Insulation  
(In between)  
& 3/8" Plywood  
(Both Sides)

2"x2" actual size  
is 1 1/2"x1 1/2"



### Rear Wall

2"x2" Studs with  
1 1/2" Insulation  
(In between)  
& 3/8" Plywood  
(Both Sides)

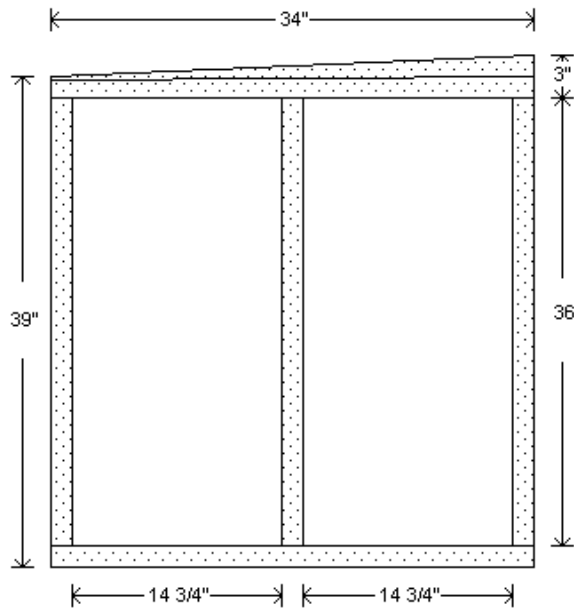
ALL COPYRIGHTS RESERVED BY ASH CUSTOM WOOD PRODUCTS

Drawn By  
L.B.A.

Law Enforcement  
1 Dog 1 Door  
30" - 40"  
Doghouse Plans

Layout By:  
Ash Custom Wood Products

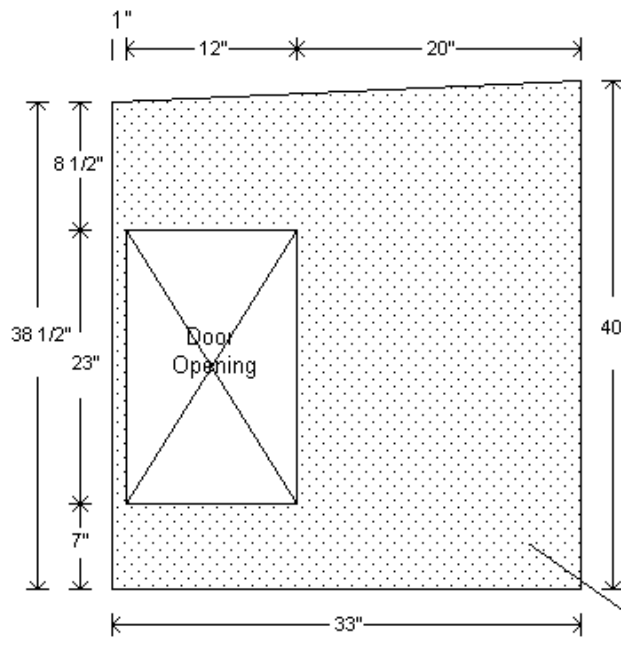
<http://www.doghouseplans.com>



### Side Plans

2"x2" Studs with  
1 1/2" Insulation  
(In between)  
& 3/8" Plywood  
(Both Sides)

2"x2" actual size  
is 1 1/2"x1 1/2"



### Inside Removable Wall

ALL COPYRIGHTS RESERVED BY ASH CUSTOM WOOD PRODUCTS

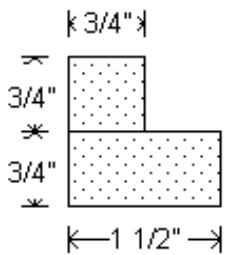
Drawn By  
L.B.A.

Law Enforcement  
1 Dog 1 Door  
30" - 40"  
Doghouse Plans

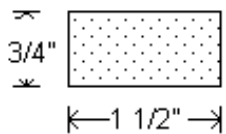
Layout By:  
Ash Custom Wood Products

<http://www.doghouseplans.com>

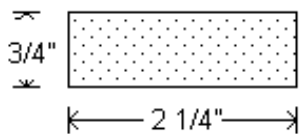
# "Trim" Dimensions



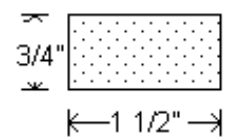
Corner Trim



Door Trim

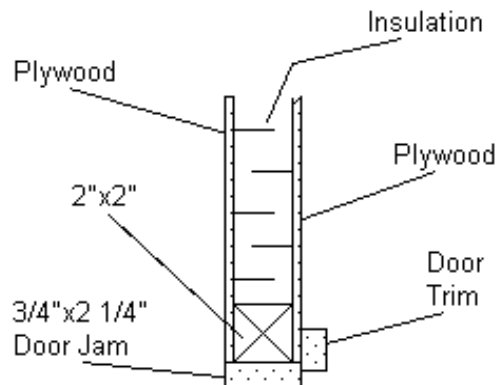
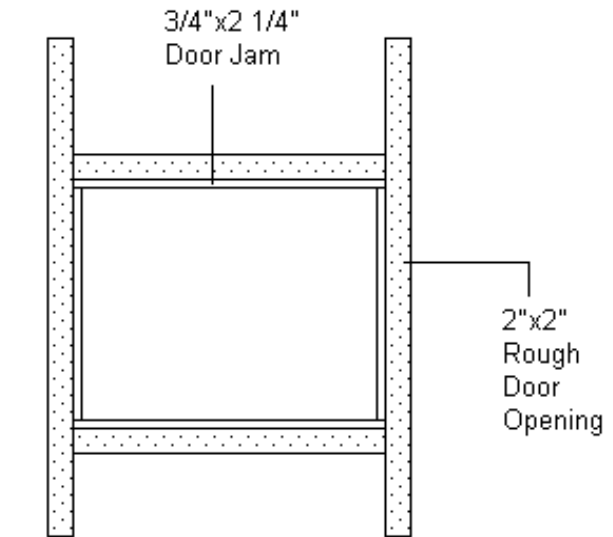


Door Jam



Window Trim

# Door Detail



# Door Detail

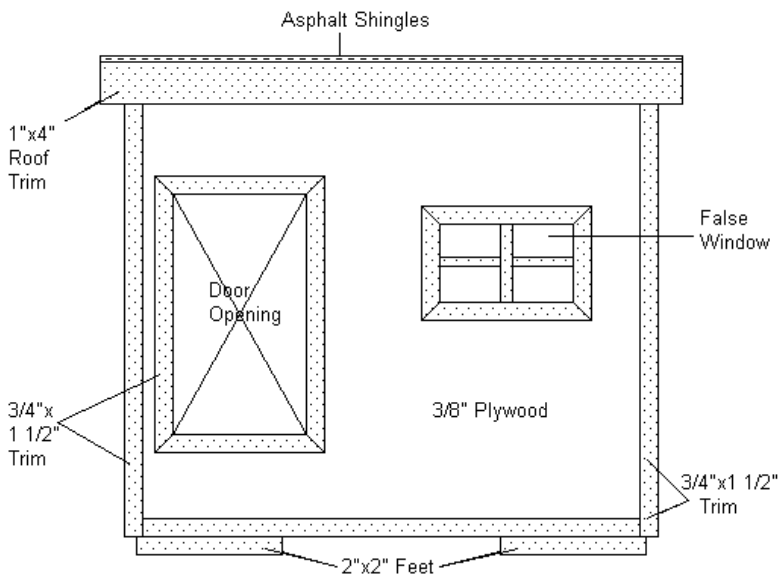
ALL COPYRIGHTS RESERVED BY ASH CUSTOM WOOD PRODUCTS

Drawn By  
L.B.A.

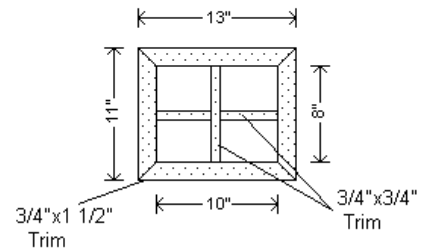
Law Enforcement  
1 Dog 1 Door  
30" - 40"  
Doghouse Plans

Layout By:  
Ash Custom Wood Products

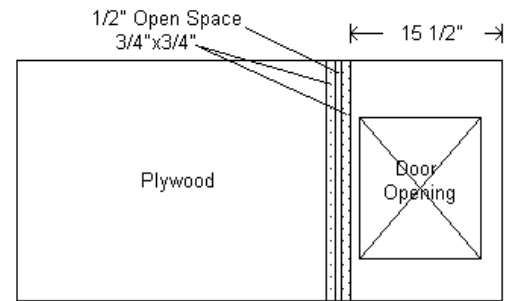
<http://www.doghouseplans.com>



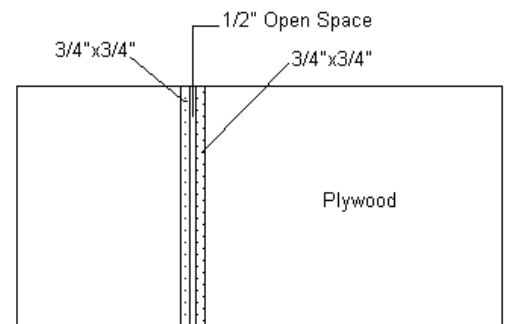
Front Elevation



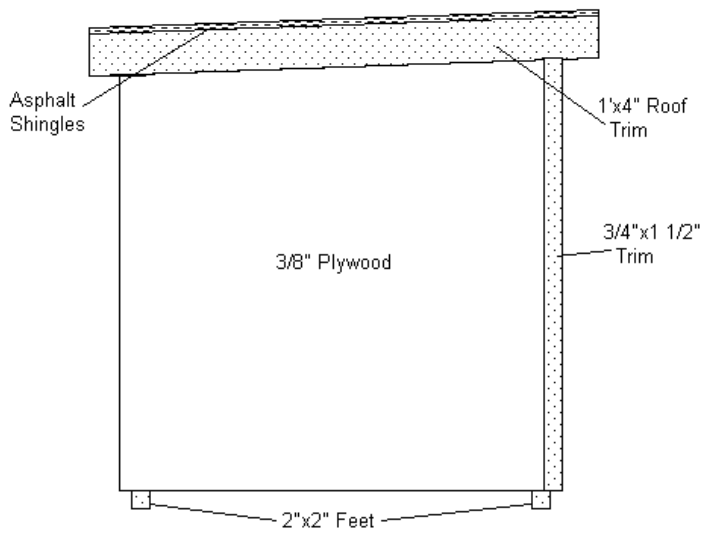
False Window



Inside Front Wall



Inside Back Wall



Side Elevation

ALL COPYRIGHTS RESERVED BY ASH CUSTOM PRODUCTS

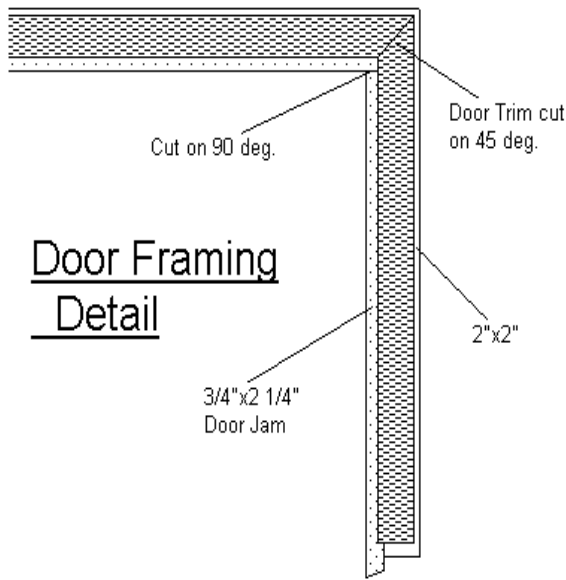
Drawn By  
L.B.A.

Law Enforcement  
1 Dog 1 Door  
30" - 40"  
Doghouse Plans

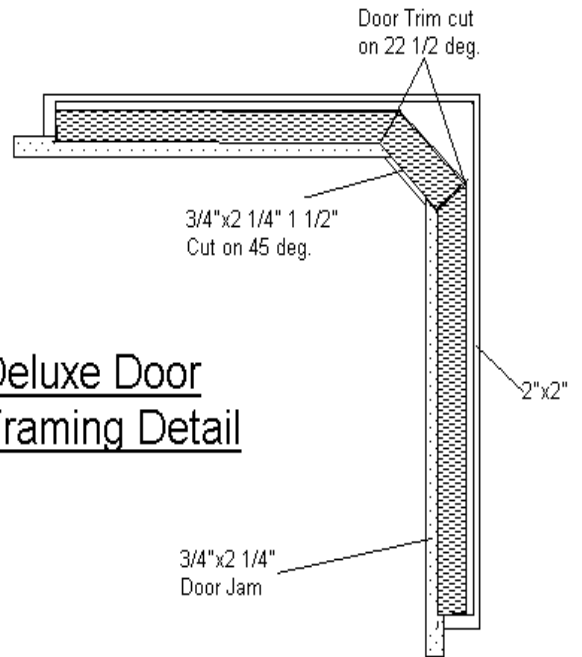
Layout By:  
Ash Custom Wood Products

<http://www.doghouseplans.com>

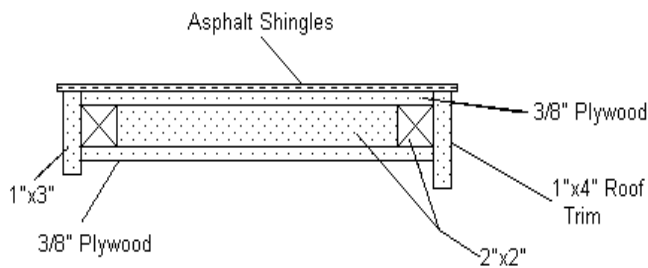




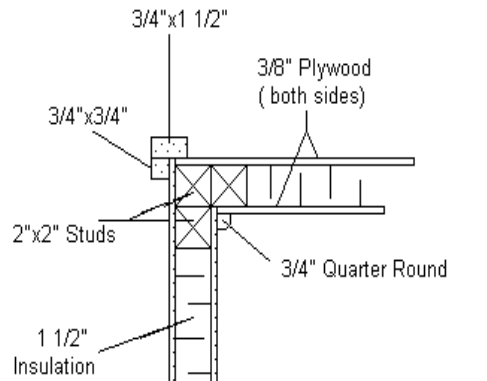
Door Framing Detail



Deluxe Door Framing Detail



Section Through Top Plan



Section Through Corner Wall

ALL COPYRIGHTS RESERVED BY ASH CUSTOM WOOD PRODUCTS

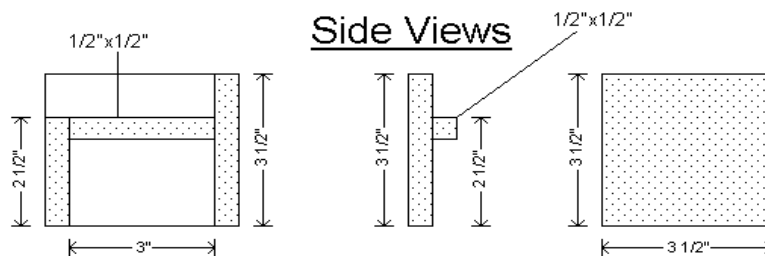
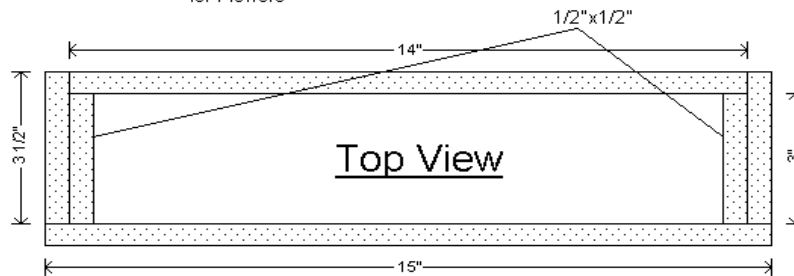
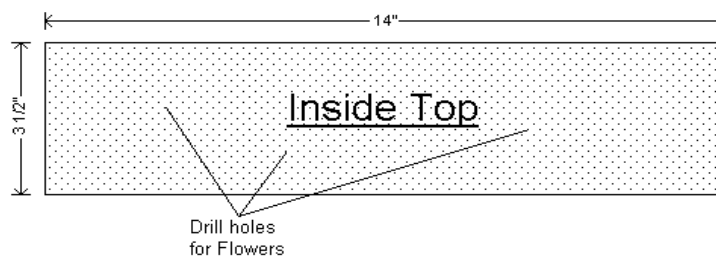
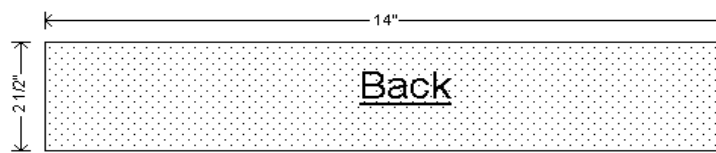
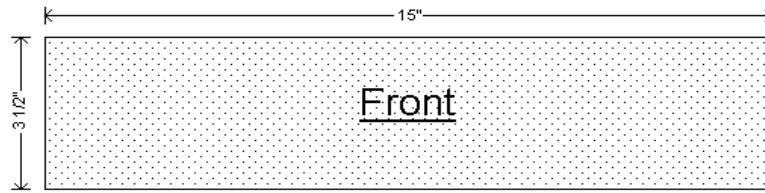
Drawn By  
L.B.A.

Law Enforcement  
1 Dog 1 Door  
30" - 40"  
Doghouse Plans

Layout By:  
Ash Custom Wood Products

<http://www.doghouseplans.com>

# Flower Box



ALL COPYRIGHTS RESERVED BY ASH CUSTOM WOOD PRODUCTS

Drawn By  
L.B.A.

Law Enforcement  
1 Dog 1 Door  
30" - 40"  
Doghouse Plans

Layout By:  
Ash Custom Wood Products

<http://www.doghouseplans.com>

Material List	
30 in.-40 in. 1 Dog - 1 Door	
<u>"REGULAR" Law Enforcement Dog House</u>	
Quantity	
25	2" x 2" x 8' (spruce)
11	4' x 8' x 3/8" spruce plywood
3	4' x 8' x 1-1/2" insulation
2	bundles of shingles
4	1" x 2" x 8' pine
2	1" x 3" x 8' pine
2	3/4" quarter round 8'
3	3/4" x 3/4" x 8' pine
2	1" x 4" x 8' pine
2	4" hinges
	paint or stain

**\*\*\*\*If you are building the deluxe version of this house make the necessary changes by following the instructions listed below.\*\*\*\***

Material List Changes	
30 in.-40 in. 1 Dog - 1 Door	
<u>"DELUXE" Law Enforcement Dog House</u>	
<p>130 Lineal Feet of 3/8" X 6" tongue and groove pine for the outside walls. Decrease the amount of plywood from 11 sheets to 8 sheets when using tongue and groove on the outside walls.</p> <p>The top corners of the door casing are cut on 45 degrees.</p> <p>The top corners of the door trim are cut at 22-1/2 degrees.</p> <p>On the window leave the 3/4" x 3/4" out and insert plexi glass mirror.</p> <p>This is the material needed for the back corner trim and the side and back bottom trim:</p> <p>3 - 1" x 2" x 8' pine</p> <p>1 - 3/4" x 3/4" x 8' pine</p> <p><u>Flower Box Materials:</u></p> <p>1/2" x 4" x 5' pine</p>	

**Optional**  
**Instructions for Attachment to the Outside of a Kennel**  
**30 in. to 40 in. One Dog /One Door**

On the current material list:

Delete 1 – 1”x 3”x 8’ long pine

Add 1 – 1”x 8”x 8’ long pine

On page 4 it shows the door jam being 3/4” x 2 –1/4” which you cut out of the 1”x 3”.

To attach the doghouse to the outside of the kennel, delete the 2-/14” and use the 8” piece of pine.

When you install the door jam, have the inside of the jam flush with the inside of the house. Using a 1”x 8” it will stick out approx. 5”.

Then the house can be put up against the outside of the kennel, and the kennel can be attached to the 1”x 8”. Once that is done, you have to cut the kennel wire out in the entrance of the house, so that the dogs can get in or out. You will still be able to open the roof of the doghouse with the doorway attached to the kennel. It will be jutting out past the roof.

